

# LC series

## PRODUCT DESCRIPTION

### Intelligent flow type peristaltic pump



## LC series

### PRODUCT DESCRIPTION

## Intelligent flow type peristaltic pump

Used in laboratories, biopharmaceuticals, printing, mineral processing and other fields.

Max flow  
2280mL/min

Max speed  
600rpm



## LC series

The LC series is an intelligent flow type peristaltic pump. The stainless steel all-inclusive design is sturdy and durable. The 3.5-inch color LCD screen is touch-controlled and has a variety of working modes. It can display the transmission status, flow data, setting parameters, and transmission direction with animation on the same screen. The storage function can save 9 groups of filling data, realize fast filling, and support various external control methods such as RS485/MODBUS communication protocol.

### LCD touch

3.5-inch color LCD, Chinese and English Display, touch screen control.

### Data storage

9 sets of data can be stored for users

### Adapt to multiple pump heads

YZ, DG, TX series pump heads can be installed, Pump heads can be cascaded.



### Flow calibration

With flow calibration function, it is suitable for transferring liquids with higher precision

### Multiple working modes

Transmission mode, timing mode, Quantitative mode, timed quantitative mode

### Support external control

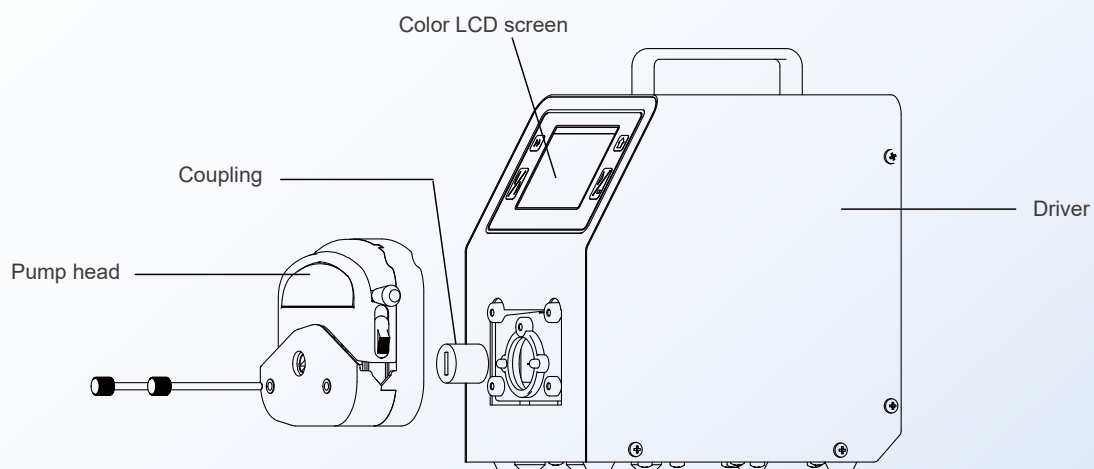
Support RS485/MODBUS communication protocol, analog control, foot switch control

## Technical parameter

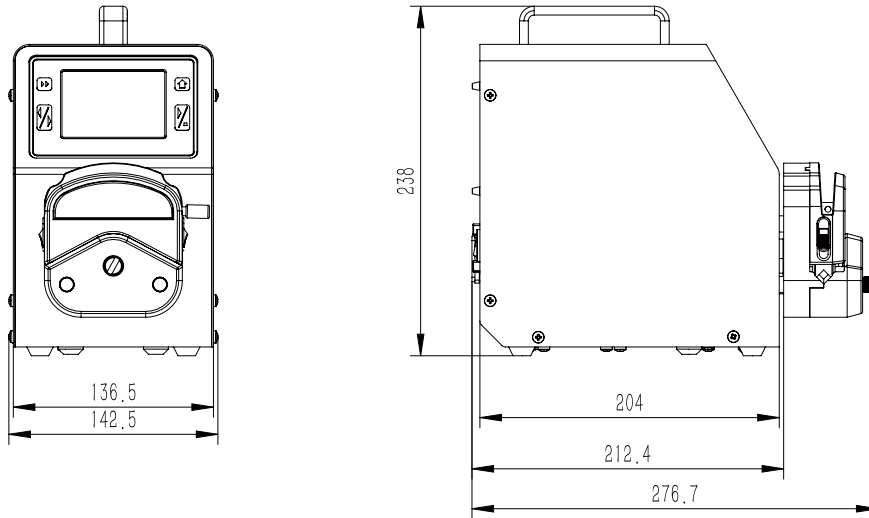
Drive model	BT100LC	BT300LC	BT600LC
Max speed	100rpm(reversible)	300rpm(reversible)	600rpm(reversible)
Speed resolution	0.1rpm	0.1rpm	0.1rpm
Max flow	480mL/min	1440mL/min	2280mL/min
Display method	LCD(EN and CN)	LCD(EN and CN)	LCD(EN and CN)
Speed mode	Touch screen + keypad	Touch screen + keypad	Touch screen + keypad
Timing range	0.1s-9999min	0.1s-9999min	0.1s-9999min
Quantitative range	0.001mL-9999L	0.001mL-9999L	0.001mL-9999L
Power	<22W	<35W	<50W
Drive size	212*142*238mm	212*142*238mm	212*142*238mm
Power supply	AC220V±10% (standard) or AC110V±10% (optional)		
External control method	Start control/direction control/speed control (0-5V, 0-10V, 4-20mA optional) RS485 serial communication		

## Schematic diagram of structure and function

Pump head → Coupling → Driver



● BT100LC/BT300LC/BT600LC



(Unit: mm)

\* Technical parameters are subject to change without notice.

**CHONRY 创锐**

Baoding Chuangrui Precision Pump Co.,Ltd.

Address: NO.369 of HuiYang Street , Baoding 071000,Hebei , China

Mobile: +86 15633705132

Website: <http://www.crpump.com>

Email: [support@crpump.com](mailto:support@crpump.com)

