

# CM series

## PRODUCT DESCRIPTION

### Digital button type peristaltic pump



## CM series

### PRODUCT DESCRIPTION

### Digital button type peristaltic pump

Used in photovoltaic, environmental protection, mineral processing, mechanical packaging, solvent extraction and other industries.

Max flow  
2280mL/min

Max speed  
600rpm



## CM series

CM series is a digital button-type peristaltic pump, using button operation, 4-digit LED digital display of current flow or speed, with multiple functions such as power-off saving, flow calibration, one-button full speed, etc. It supports different external controls such as RS485/MODBUS communication protocol. It is suitable for a variety of pump heads such as YZ series, TX series, DG series, etc., to meet different work needs.

#### Easy to operate

Simple appearance, key operation, 4 positions LED display flow or speed more intuitive

#### External control function

Support RS485/MODBUS communication protocol, analog control, foot switch control

#### One key full speed

Features a convenient full speed button for fill or empty pipes quickly



#### Power off save

Can automatically save the last power-down control parameter

#### Liquid volume calibration

The flow correction is carried out according to the target value and the actual value, Ensure transmission accuracy

#### Adapt to multiple pump heads

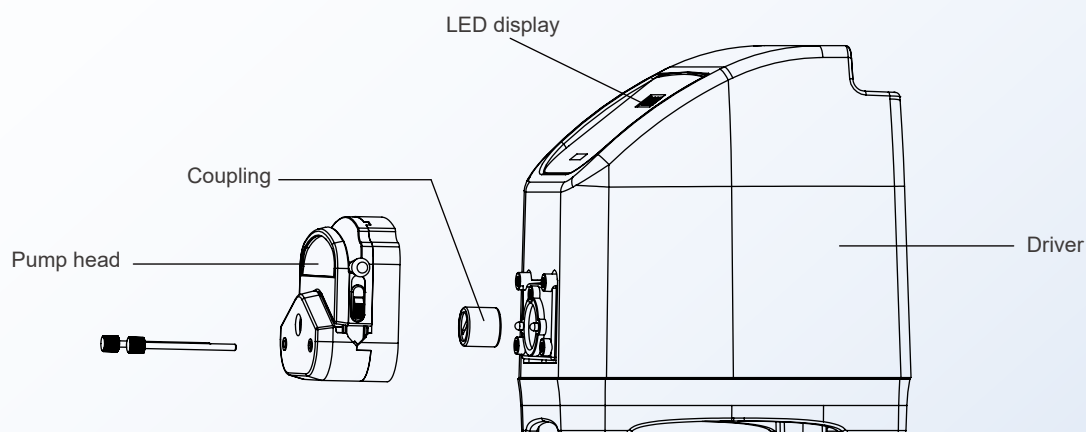
Various pump heads such as YZ series, DG series and TX series can be installed

## Technical parameter

Drive model	CM1000	CM3000	CM6000
Max speed	100rpm(reversible)	300rpm(reversible)	600rpm(reversible)
Speed resolution	0.1rpm	0.1rpm	0.1rpm
Max flow	480mL/min	1440mL/min	2280mL/min
Display method	4-LED display	4-LED display	4-LED display
Speed mode	Membrane keys	Membrane keys	Membrane keys
Timing range	0.1s-9999min	0.1s-9999min	0.1s-9999min
Quantitative range	0.001mL-9999L	0.001mL-9999L	0.001mL-9999L
Power	<22W	<35W	<50W
Drive size	225*185*248mm	225*185*248mm	225*185*248mm
Power supply	AC220V±10% (standard) or AC110V±10% (optional)		
External control method	Start control/direction control/speed control (0-5V, 0-10V, 4-20mA optional) RS485 serial communication		

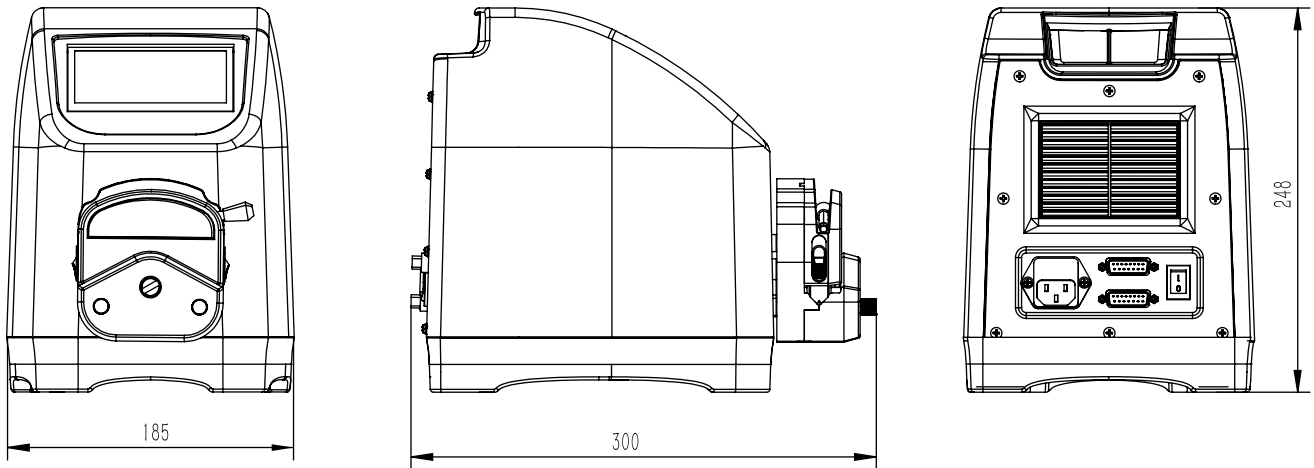
## Schematic diagram of structure and function

Pump head → Coupling → Driver



## Dimensions

### ● CM1000/CM3000/CM6000



(Unit:mm)

\* Technical parameters are subject to change without notice.

**CHONRY 创锐**

Baoding Chuangrui Precision Pump Co.,Ltd.

Address: NO.369 of HuiYang Street , Baoding 071000,Hebei , China

Mobile: +86 15633705132

Website: <http://www.crpump.com>

Email: [support@crpump.com](mailto:support@crpump.com)

