

CT series

PRODUCT DESCRIPTION

Lab intelligent flow peristaltic pump



CT series PRODUCT DESCRIPTION Lab intelligent flow peristaltic pump

Used in laboratory, biological analysis,
medical treatment, environmental protection
and other fields

Max flow
2280mL/min

Max speed
600rpm



CT series

CT series is a Lab intelligent flow type peristaltic pump with beautiful appearance, 3.5-inch color touch screen with dual display in Chinese and English, can perform flow calibration, and has a variety of working modes to meet different working needs, suitable for YZ series, TX series, DG Series and other pump heads, the pump heads can be cascaded, and support a variety of external control methods such as RS485/MODBUS communication protocol.

LCD touch

3.5-inch color LCD, Chinese and English display, Touch screen control

Flow calibration

With flow calibration function, it is suitable for transferring liquids with higher precision

Adapt to multiple pump heads

YZ, DG, TX series pump heads can be installed, and pump heads can be cascaded



Multiple working modes

Transmission mode, timing mode, quantitative mode, timing quantitative mode

Data storage

9 sets of data can be stored for users

Support external control

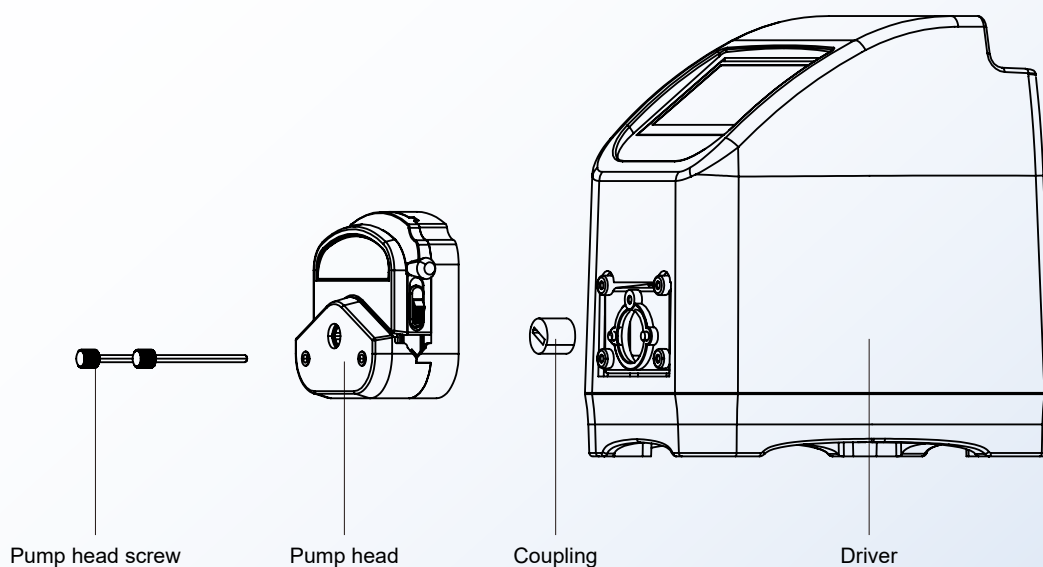
Support RS485/MODBUS communication protocol, analog control, foot switch control

Technical parameter

Drive model	CT1000	CT3000	CT6000
Max Speed	100rpm(reversible)	300rpm(reversible)	600rpm(reversible)
Max Flow	480mL/min	1440mL/min	2280mL/min
Power	<22W	<35W	<50W
Speed resolution	Speed resolution 0.1rpm		
Speed mode	Touch screen adjustment		
Display method	Color LCD display (Chinese and English optional)		
Timing range	0.1s-9999min		
Quantitative range	0.001mL-9999L		
Suction angle	10°-720° (0° means no back suction)		
Suction speed	10-300rpm		
Power supply	AC220±10% (standard) or AC110V±10% (optional)		
External control method	Start control/direction control/speed control (0-5V, 0-10V, 4-20mA optional) RS485 serial communication		
Drive size	225X186X248(mm)		

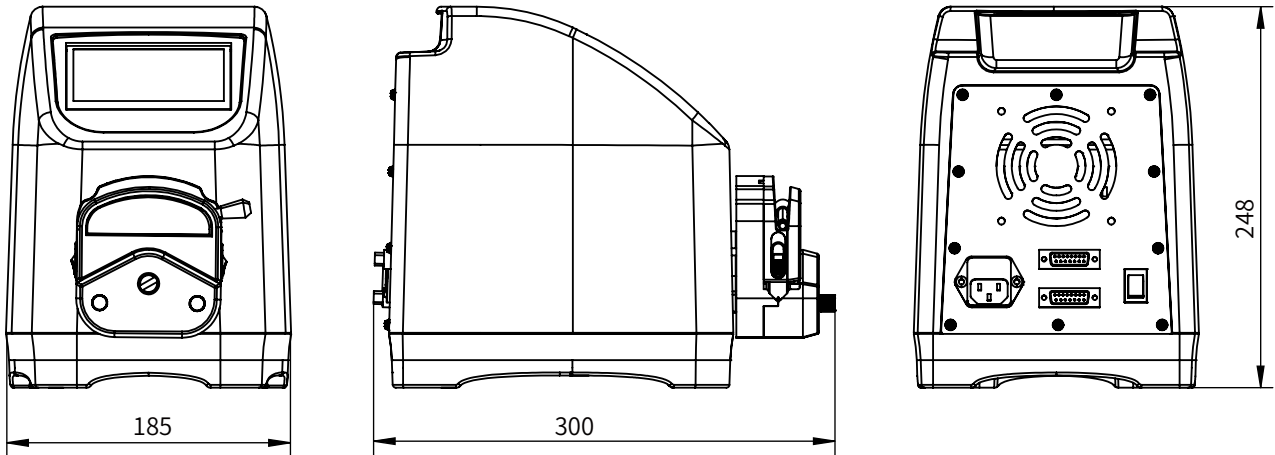
Schematic diagram of structure and function

Pump head → Coupling → Driver



Dimensions

● CT1000/CT3000/CT6000



(Unit: mm)

* Technical parameters are subject to change without notice.

CHONRY 创锐

Baoding Chuangrui Precision Pump Co.,Ltd.

Address: NO.369 of HuiYang Street , Baoding 071000,Hebei , China

Mobile: +86 15633705132

Website: <http://www.crpump.com>

Email: support@crpump.com

