

FC series

PRODUCT
DESCRIPTION

Smart Dispensing Peristaltic Pump



FC series PRODUCT DESCRIPTION Smart Dispensing Peristaltic Pump

It is mostly used in testing reagents, oral liquids, veterinary drugs and other pharmaceutical filling, or in chemical, food and other fields

Max flow
2280mL/min

Max speed
600rpm



FC series

FC series is an intelligent distribution type peristaltic pump, which adopts 3.5-inch touch screen operation, intuitive data display, provides a variety of function settings, has two working modes of transmission and distribution, and can realize repeated timing and quantitative distribution. The stainless steel all-inclusive design is strong Durable, can store 9 sets of filling data, realize fast filling, and support various external control methods such as RS485/MODBUS communication protocol.

LCD touch

3.5-inch color LCD, Chinese and English display, Touch screen control

Multiple modes

It has two working modes of transmission and distribution, and can perform repeated timing and quantitative filling.

Flow calibration

With flow calibration function, it is suitable for transferring liquids with higher precision



Adapt to multiple pump heads

YZ, DG, TX series pump heads can be installed, Pump heads can be cascaded

Data storage

9 sets of data can be stored for users

Support external control

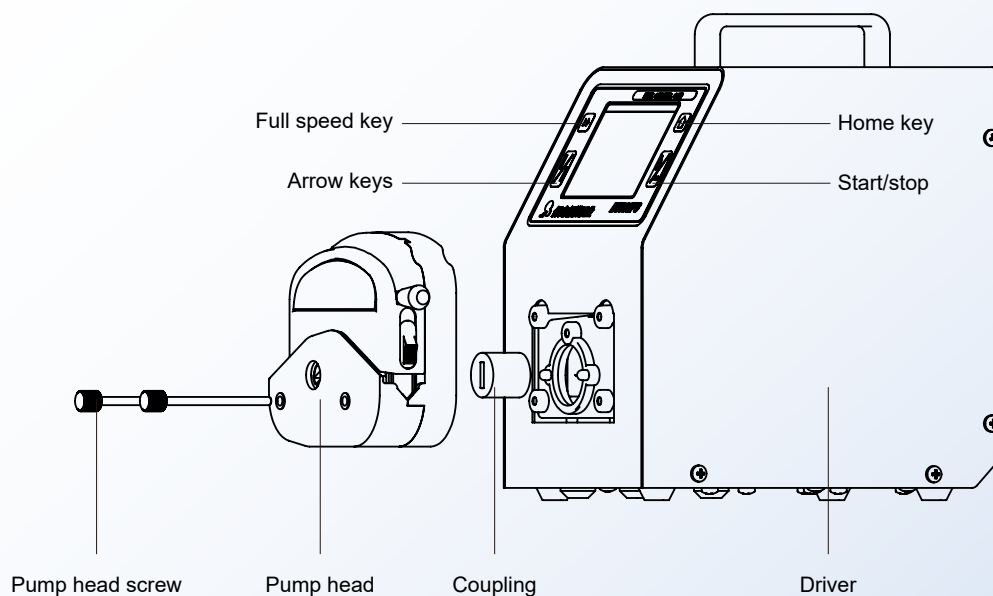
Support RS485/MODBUS communication protocol, analog control, foot switch control

Technical parameter

Drive model	BT100FC	BT300FC	BT600FC
Max Speed	100rpm(reversible)	300rpm(reversible)	600rpm(reversible)
Max Flow	480mL/min	1440mL/min	2280mL/min
Power	<22W	<35W	<50W
Speed resolution	Speed resolution 0.1rpm		
Speed mode	Touch screen adjustment		
Display method	Color LCD display (Chinese and English optional)		
Timing range	0.1s-9999min		
Quantitative range	0.001mL-9999L		
Suction angle	10°-720° (0° means no back suction)		
Suction speed	10-100rpm	10-300rpm	10-300rpm
Power supply	AC220±10% (standard) or AC110V±10% (optional)		
External control interface	DB-15		
External control method	Start control/direction control/speed control (0-5V, 0-10V, 4-20mA optional) RS485 serial communication		
Drive size	212X139X240(mm)		

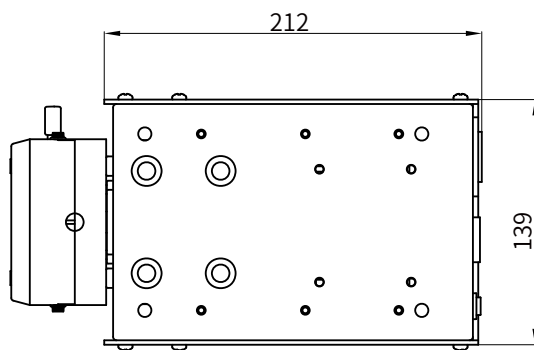
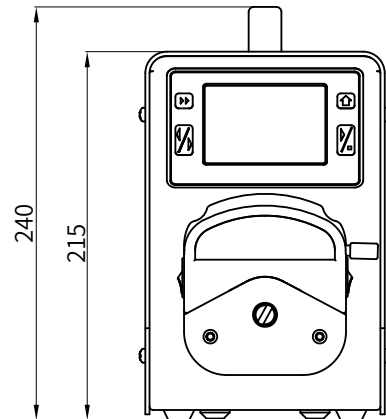
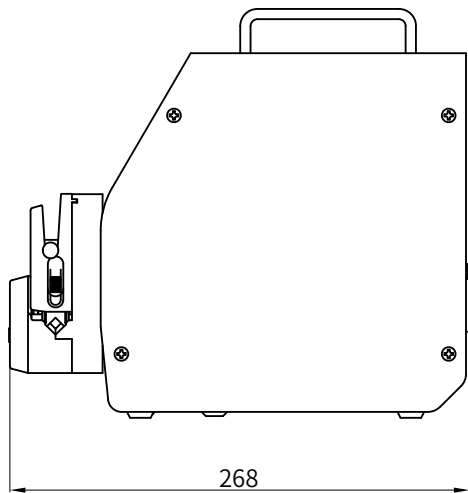
Schematic diagram of structure and function

Pump head → Coupling → Driver



Dimensions

● BT100FC/BT300FC/BT600FC



(Unit: mm)

*Technical parameters are subject to change without notice.

CHONRY 创锐

Baoding Chuangrui Precision Pump Co.,Ltd.

Address: NO.369 of HuiYang Street , Baoding 071000,Hebei , China

Mobile: +86 15633705132

Website: <http://www.crpump.com>

Email: support@crpump.com

