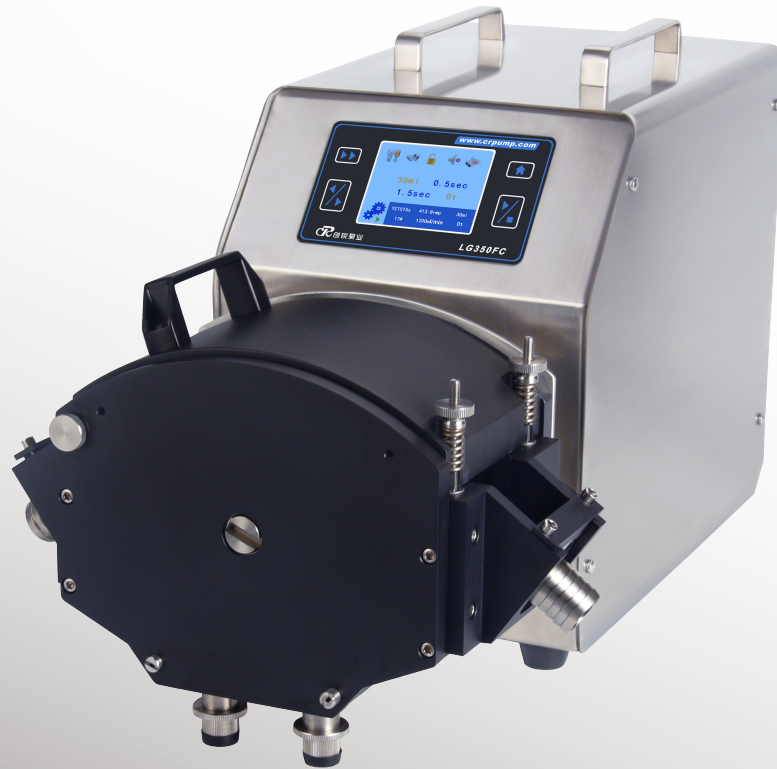


# LG350FC

## PRODUCT DESCRIPTION

### Batch Dispense Peristaltic Pump



## LG350FC

### PRODUCT DESCRIPTION

### Batch Dispense Peristaltic Pump

Used in food industry, fluidized bed liquid supply, liquid medicine filtration, photovoltaic, Chemical and other fields.

Max flow  
33000mL/min

Max speed  
350rpm



## LG350FC

LG350FC is a batch distribution peristaltic pump. It adopts a 3.5-inch color LCD touch screen display. The operation is simple and intuitive. It has two working modes of transmission and distribution. It can be intelligently set according to different work needs. The motor torque is strong, suitable for KZ50 pump. The maximum flow can reach 33L, and it supports various remote control modes such as RS485/MODBUS.

#### Multiple modes

It has two working modes of transmission and distribution, and can perform repeated timing and quantitative filling.

#### Power off save

Can automatically save the control parameters when the last power failure.

#### Data storage

9 sets of data can be stored for users.



#### LCD touch

3.5-inch color LCD, Chinese and English display, touch screen control.

#### Very large flow

Compatible with KZ50 pump head, the maximum transmission flow can reach 33L/min.

#### Support external control

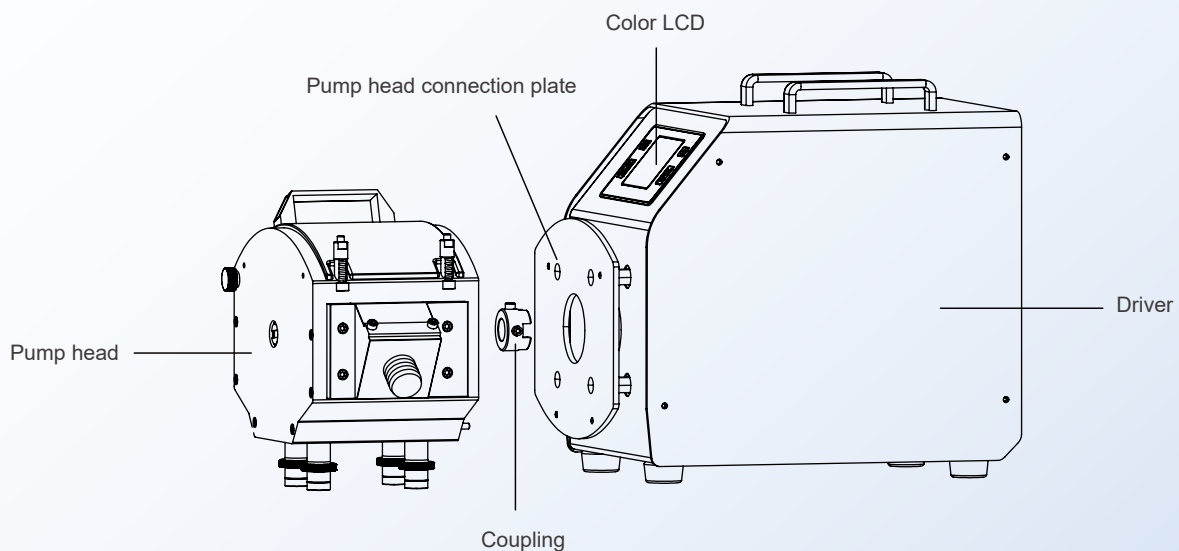
Support RS485/MODBUS communication protocol, analog control, foot switch control.

## Technical parameter

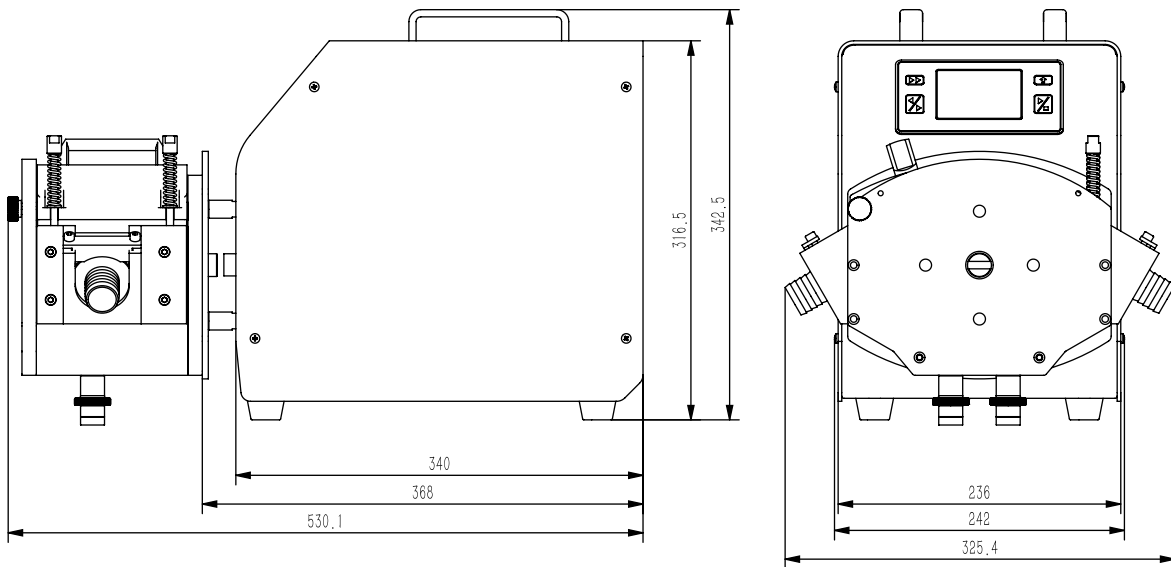
Drive model	LG350FC
Max speed	350rpm (reversible)
Max flow	33000mL/min
Speed resolution	0.1rpm
Speed mode	Touch screen adjustment
Display method	Color LCD display (Chinese and English optional)
Suction angle	10°-720°
Suction speed	10-300rpm
Power supply	AC220±10% (Standard) or AC110V±10% (optional)
Power	< 750W
External control interface	DB-15
External control method	Start control/direction control/speed control (0-5V, 0-10V, 4-20mA optional) RS485 serial communication
Ambient temperature	0-40 °C
Drive size	340X242X342.5(mm)
Protection class	IP31 (indoor use, avoid prolonged exposure to UV rays)

## Schematic diagram of structure and function

Pump head → Coupling → Pump head connection plate → Driver



## Dimensions



(Unit: mm)

**CHONRY 创锐**

Baoding Chuangrui Precision Pump Co.,Ltd.

Address: NO.369 of HuiYang Street , Baoding 071000,Hebei , China

Mobile: +86 15633705132

Website: <http://www.crpump.com>

Email: [support@crpump.com](mailto:support@crpump.com)

