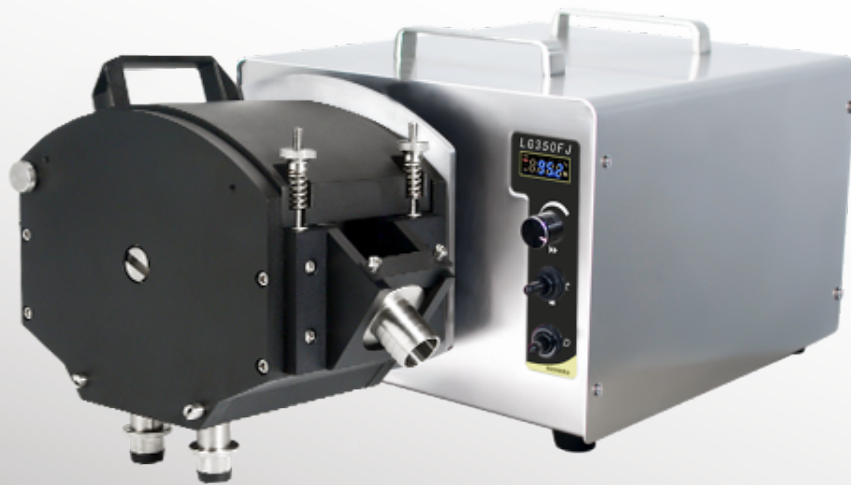


LG350FJ

PRODUCT DESCRIPTION

Digital Batch Dispense Peristaltic Pump



LG350FJ

PRODUCT DESCRIPTION

Digital Batch Dispense Peristaltic Pump

It is used in industrial fermentation, fluid transportation such as superplasticizers and admixtures, and is suitable for large-flow sub-packaging environments.

Max flow
33000mL/min

Max speed
350rpm



LG350FJ

LG350FJ is a peristaltic pump with super large flow distribution. It can switch the transmission mode and distribution mode by adjusting the key position, adapt to different working environments, install KZ50 pump head, the maximum flow can reach 33L, digital knob adjustment, two-way large torque. The current flow or speed is displayed through 4-digit LED, and the liquid volume can be calibrated. It supports the RS485/MODBUS communication protocol, and the knob adjusts the parameters. The operation is simple and convenient.

Mode switch

Two modes of transmission or distribution can be switched by adjusting the key position.

Power off save

Can automatically save the control parameters when the last power failure.

Can be cascaded

KZ50 pump head can be installed, the maximum Transmission 33L.



Suction function

Quickly cleans, fills and drains pipes.

Flow calibration

After setting the target flow, input the actual flow value, and the system will automatically perform flow correction.

External control function

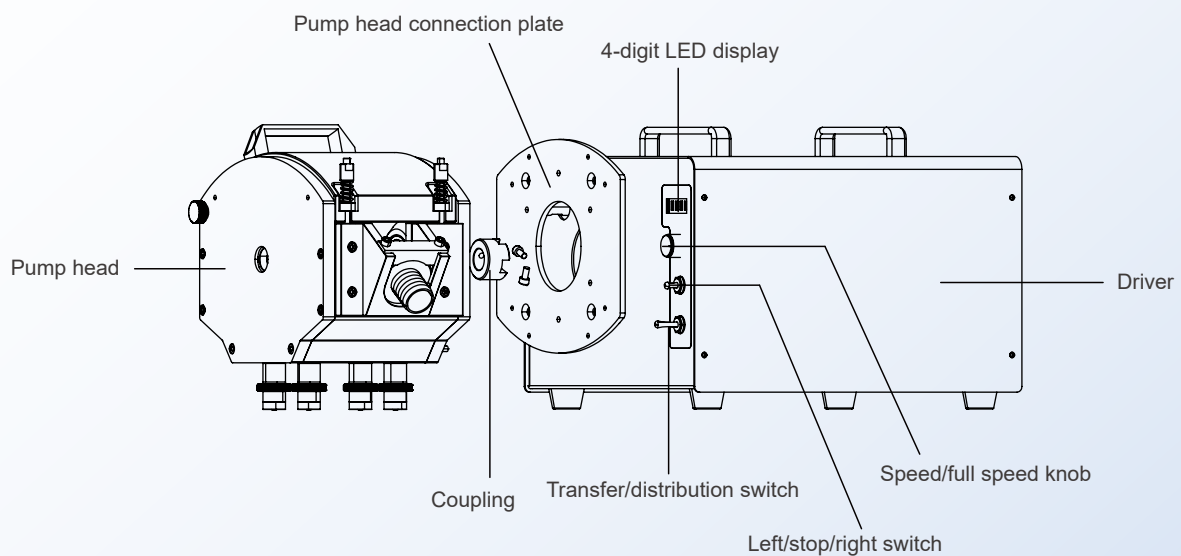
Support RS485/MODBUS communication protocol, the protocol can also be customized according to customer needs.

Technical parameter

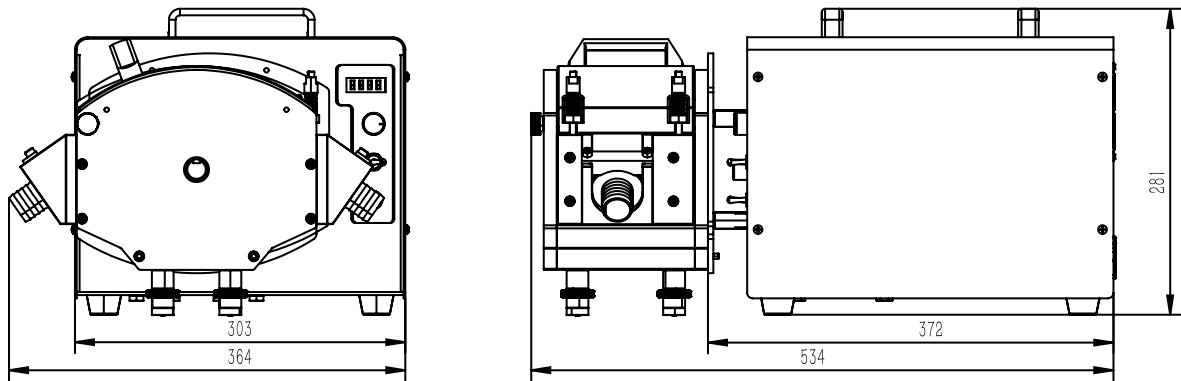
Drive model	LG350FJ
Max speed	350rpm (reversible)
Speed resolution	0.1rpm
Max flow	33000mL/min
Speed mode	Digital knob to adjust the speed
Display method	Four-digit LED displays current speed or flow
Suction angle	10°-720°
Suction speed	10-300rpm
Power supply	AC220±10% (Standard) or AC110V±10% (optional)
Power	<750W
External control method	Start control/direction control/speed control (0-5V, 0-10V, 4-20mA optional) RS485 serial communication
Drive size	303X372X281 (mm)
Drive weight	27kg

Schematic diagram of structure and function

Pump head → Coupling → Pump head connection plate → Driver



Dimensions



(Unit: mm)

CHONRY 创锐

Baoding Chuangrui Precision Pump Co.,Ltd.

Address: NO.369 of HuiYang Street , Baoding 071000,Hebei , China

Mobile: +86 15633705132

Website: <http://www.crpump.com>

Email: support@crpump.com

