

# LG350LC

## PRODUCT DESCRIPTION

### Batch transfer peristaltic pump



## LG350LC

### PRODUCT DESCRIPTION

### Batch transfer peristaltic pump

Used in food industry, fluidized bed liquid supply, liquid medicine filtration, photovoltaic, Chemical and other fields.

Max flow  
33000mL/min

Max speed  
350rpm



## LG350LC

LG350LC is a batch transmission type peristaltic pump. It adopts 3.5-inch color LCD touch screen display. The operation is simple and intuitive. It has four working modes: timing, quantitative, timing quantitative, and transmission. It can be intelligently set according to different work needs, and the motor torque is strong. , suitable for KZ50 pump head, the maximum flow can reach 33L, support RS485/MODBUS and other remote control modes.

### Multiple modes

With timing, quantitative, timing quantitative, transmission four working modes.

### Power off save

Can automatically save the control parameters when the last power failure.

### Data storage

9 sets of data can be stored for users.



### LCD touch

3.5-inch color LCD, Chinese and English display, touch screen control.

### Very large flow

Compatible with KZ50 pump head, the maximum transmission flow can reach 33L/min.

### Support external control

Support RS485/MODBUS communication protocol, analog control, foot switch control.

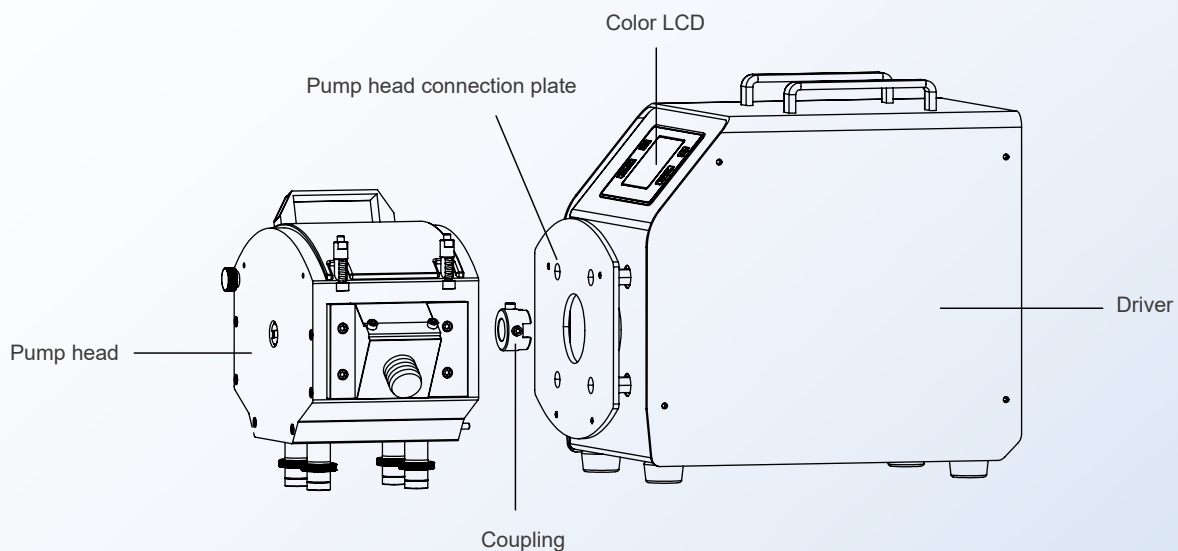


## Technical parameter

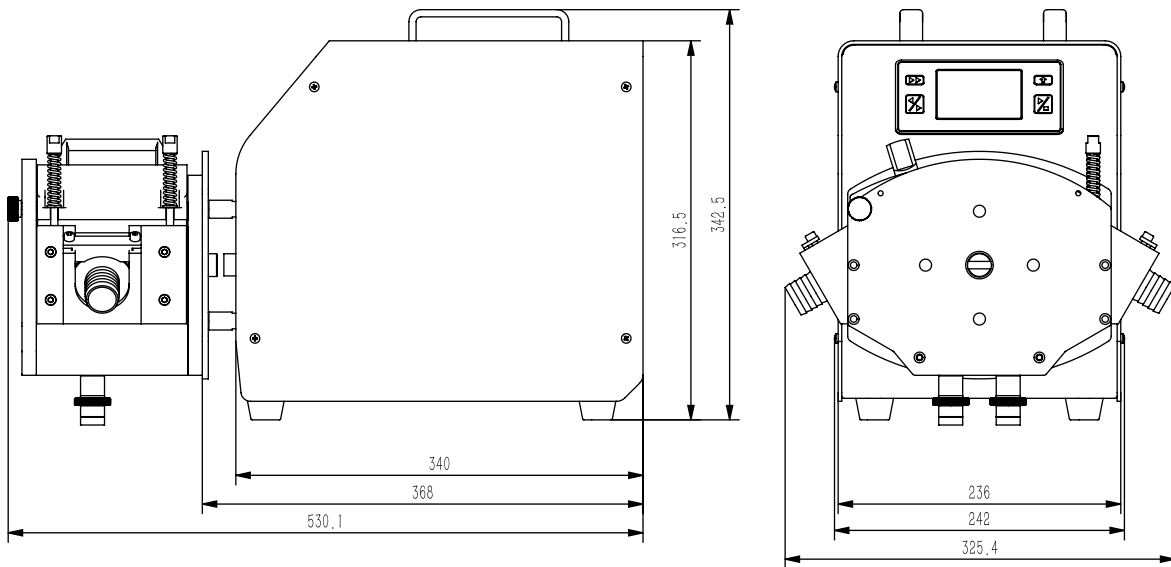
Drive model	LG350LC
Max speed	350rpm (reversible)
Max flow	33000mL/min
Speed resolution	0.1rpm
Speed mode	Touch screen adjustment
Display method	Color LCD display (Chinese and English optional)
Suction angle	10°-720°
Suction speed	10-300rpm
Power supply	AC220±10% (Standard) or AC110V±10% (optional)
Power	< 750W
External control interface	DB-15
External control method	Start control/direction control/speed control (0-5V, 0-10V, 4-20mA optional) RS485 serial communication
Ambient temperature	0-40 °C
Drive size	340X242X342.5(mm)
Protection class	IP31 (indoor use, avoid prolonged exposure to UV rays)

## Schematic diagram of structure and function

Pump head → Coupling → Pump head connection plate → Driver



## Dimensions



(Unit: mm)

**CHONRY 创锐**

Baoding Chuangrui Precision Pump Co.,Ltd.

Address: NO.369 of HuiYang Street , Baoding 071000,Hebei , China

Mobile: +86 15633705132

Website: <http://www.crpump.com>

Email: [support@crpump.com](mailto:support@crpump.com)

