

SG600LC

PRODUCT DESCRIPTION

**Intelligent high-flow
peristaltic pump**



SG600LC

PRODUCT DESCRIPTION

Intelligent high-flow peristaltic pump

Used in mining, metallurgy, environmental engineering, chemical industry water treatment and other fields

Max flow
12000mL/min

Max speed
600rpm



SG600LC

SG600LC is a high-flow intelligent flow peristaltic pump. It is controlled by a 3.5-inch color LCD touch screen, with a Chinese and English operation interface, with flow calibration function, real-time display of various operating parameters on the same screen, easy to use, and provides user data storage. Fast filling, to meet different work requirements, bidirectional high torque, install YZ35, YZ35-13 and other pump heads, can cascade multiple pump heads, can perform liquid volume calibration, support RS485/MODBUS communication protocol, provide a variety of external control methods .

LCD touch

3.5-inch color LCD, Chinese and English display, touch screen control.

Suction function

The speed angle of reverse operation can be customized to prevent liquid dripping.

Data storage

9 sets of data can be stored for users.



Liquid volume calibration

After setting the target flow, input the actual flow, and the system will automatically calibrate.

Multiple working modes

Transmission mode, timing mode, quantitative mode, timing quantitative mode.

Support external control

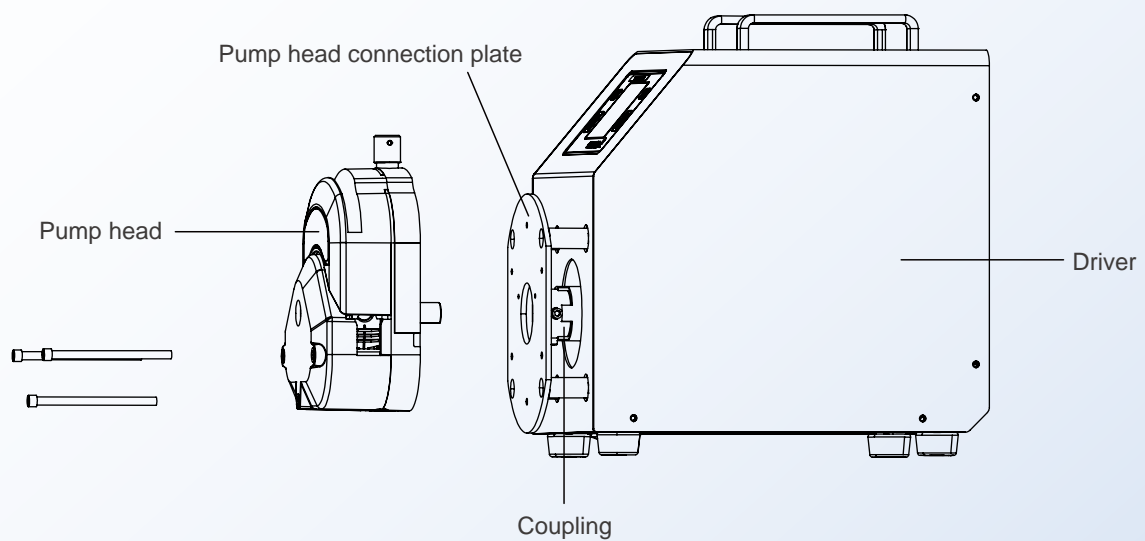
Support RS485/MODBUS communication protocol, analog control, foot switch control.

Technical parameter

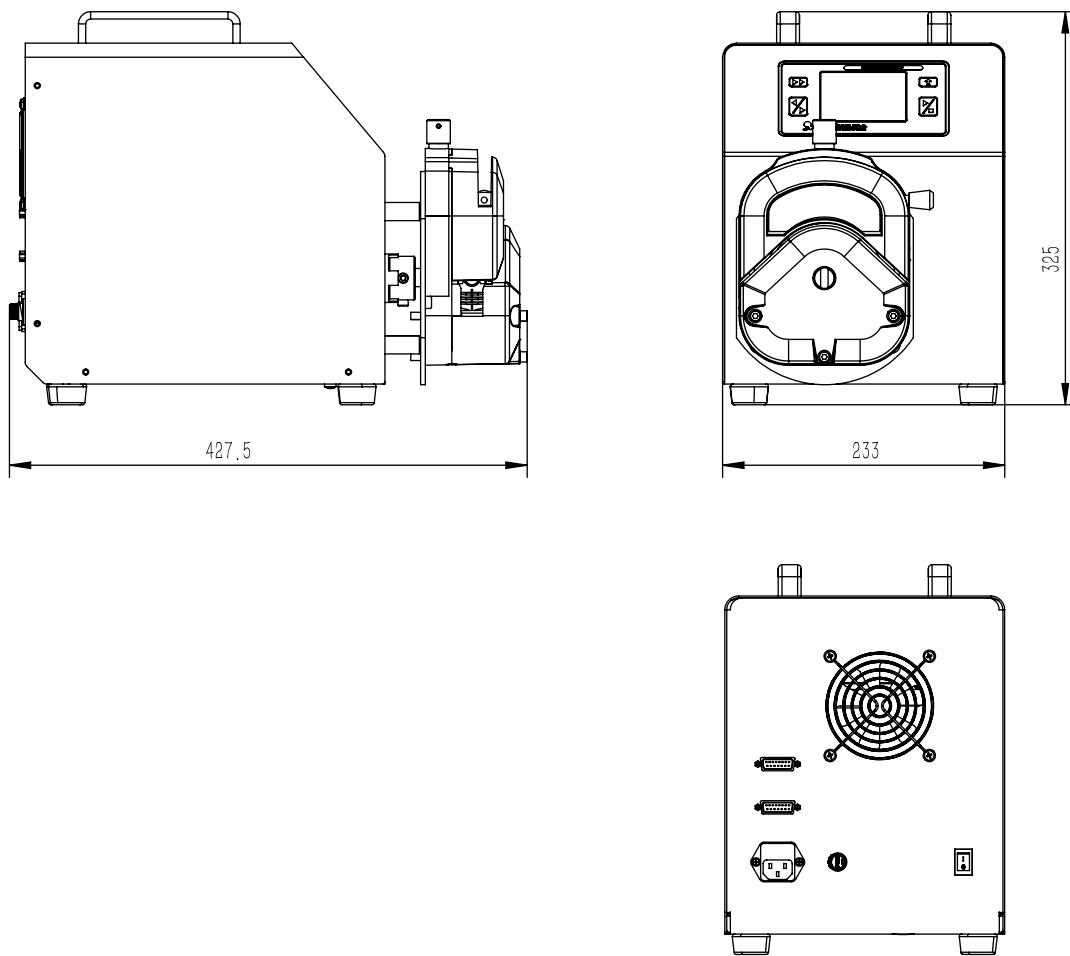
Drive model	SG600LC
Max speed	600rpm (reversible)
Speed resolution	0.1rpm
Max flow	12000mL/min
Speed mode	Touch screen adjustment
Display method	Color LCD display (Chinese and English optional)
Suction angle	10°-720°
Suction speed	10-300rpm
Power supply	AC220V±10% (standard) or AC110V±10% (optional)
Power	< 400W
External control interface	Start control/direction control/speed control (0-5V, 0-10V, 4-20mA optional) RS485 serial communication
Drive size	233X325X427.5 (mm)

Schematic diagram of structure and function

Pump head → Coupling → Pump head connection plate → Driver



Dimensions



(Unit: mm)

CHONRY 创锐

Baoding Chuangrui Precision Pump Co.,Ltd.

Address: NO.369 of HuiYang Street , Baoding 071000,Hebei , China

Mobile: +86 15633705132

Website: <http://www.crpump.com>

Email: support@crpump.com

