

# UTF03

## PRODUCT DESCRIPTION

### UTF smart filling system



## UTF03

### PRODUCT DESCRIPTION

## UTF Smart Filling System

Can handle the transfer and production filling of a variety of liquids, Mainly used in food, beverage, pharmaceutical, chemical, biopharmaceutical and other industries.

Max flow  
12000mL/min

Max speed  
600rpm



## UTF Smart Filling System

UTF03 is an intelligent filling peristaltic pump independently developed by Chuangrui Pump Industry. The standard drive unit of the system is 4 channels (2 3 4 5 6) optional, and can be expanded to 32 channels at most. It can install various pump heads such as YZ35, YZ35-13, etc., and adapt to various specifications of hoses, providing customers with a variety of choices to meet a variety of applications. The main controller adopts a 7-inch or 10-inch industrial touch screen, the operation is simple, clear and easy to use, and the functions are rich and easy to use.

### Industrial touch screen

The main controller adopts 7 inches or 10 inches Industrial touch screen, easy to operate.

### External control function

Support RS485/MODBUS communication protocol, the protocol can also be used according to Customized upon request.

### One key full speed

Features a convenient full speed button for quickly filling or emptying the tube.



### Stainless steel housing

The main body adopts 304 stainless steel shell High strength, corrosion resistance, easy to clean.

### Direction control

The transmission direction is controllable, adapting to more work requirements.

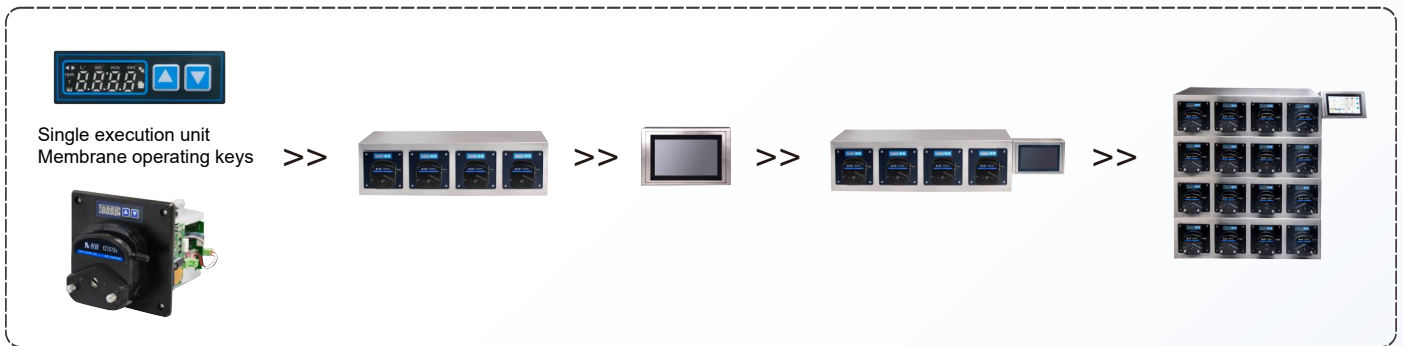
### Adapt to multiple pump heads

Various pump heads such as YZ35 and YZ35-13 can be installed

## Pump head parameter table

Model	Display Method	Control	Filling Accuracy	Control Mode	Fine-Tuning range	Max Speed (rpm)	Pump Head	Max Flow (mL/min)	Weight (kg)
UTF03	7 inches/10 inches Industrial touch screen +4-digit LED digital display	Sub-control / Central control	<math>\pm 2\%</math>	Offline mode / Online mode	80%-120%	600	YZ35	12000	Master-1.35 Single group system - 38
							YZ35-13		

## UTF composition and structure diagram



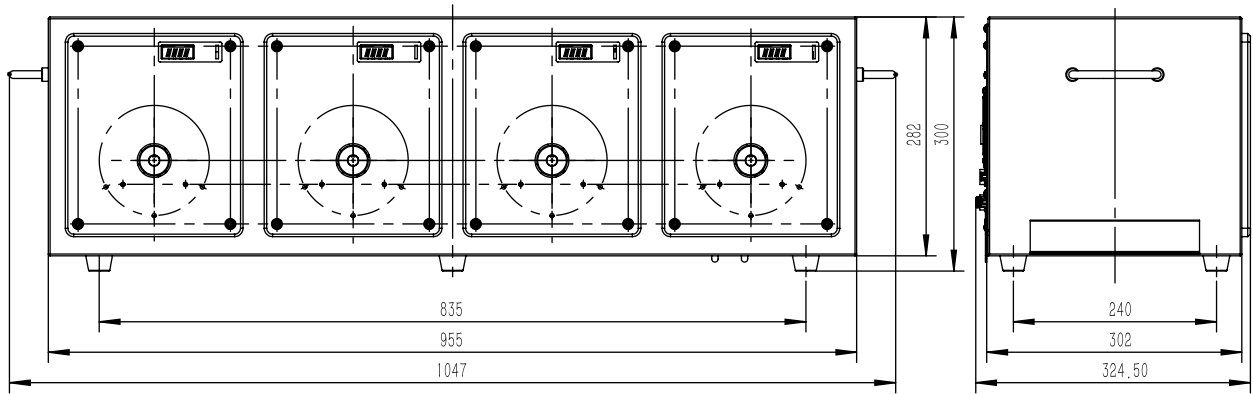
single execution unit >> Single group filling system execution unit >> Main controller >> Single group filling system execution unit >> Multi-group filling system execution unit

	Independently mounted modules for easy maintenance and repair		Independent fine-tuning button, convenient for customers to adjust accurately
	Integrated touch screen controls for easy operation and control		Cascadable multi-channel design for a variety of volume production requirements

## Filling application and performance index

Filling volume	0.1ml-9999.99mL/time	Display adjustment resolution: 0.01mL
Filling time	0.1-9999.9s/time	Display adjustment resolution: 0.1s
Intervals	0.2-9999.9s/time	Display adjustment resolution: 0.1s
Filling times	0-9999 times	"0" means infinite loop
Suction angle	0-7200°	Display adjustment resolution: 1°
Suction speed	0-300rpm	Display adjustment resolution: 1rpm
Suction back delay	0s-60s	Display adjustment resolution: 0.1s
Channels	4 channels/unit (standard) 2 3 4 5 6 channels/unit (optional)	Expandable up to 32 channels

## Dimensions



(Unit: mm)

\* Technical parameters are subject to change without notice.

**CHONRY 创锐**

Baoding Chuangrui Precision Pump Co.,Ltd.

Address: NO.369 of HuiYang Street , Baoding 071000,Hebei , China

Mobile: +86 15633705132

Website: <http://www.crpump.com>

Email: [support@crpump.com](mailto:support@crpump.com)

