

UTF04

PRODUCT DESCRIPTION

UTF smart filling system



UTF04

PRODUCT DESCRIPTION

UTF Smart Filling System

Can handle the transfer and production filling of a variety of liquids, Mainly used in food, beverage, pharmaceutical, chemical, biopharmaceutical and other industries.

Max flow
12000mL/min

Max speed
600rpm



UTF Smart Filling System

UTF04 is an intelligent filling peristaltic pump independently developed by Chuangrui Pump Industry. The standard drive unit of the system is 4 channels (2 3 4 5 6) optional, and can be expanded to 32 channels at most. It can install various pump heads such as YZ35, YZ35-13, etc., and adapt to various specifications of hoses, providing customers with a variety of choices to meet a variety of applications. The main controller adopts a 7-inch or 10-inch industrial touch screen, the operation is simple, clear and easy to use, and the functions are rich and easy to use.

Industrial touch screen

The main controller adopts 7 inches or 10 inches Industrial touch screen, easy to operate.

External control function

Support RS485/MODBUS communication protocol, the protocol can also be used according to Customized upon request.

One key full speed

Features a convenient full speed button for quickly filling or emptying the tube.



Stainless steel housing

The main body adopts 304 stainless steel shell High strength, corrosion resistance, easy to clean.

Direction control

The transmission direction is controllable, adapting to more work requirements.

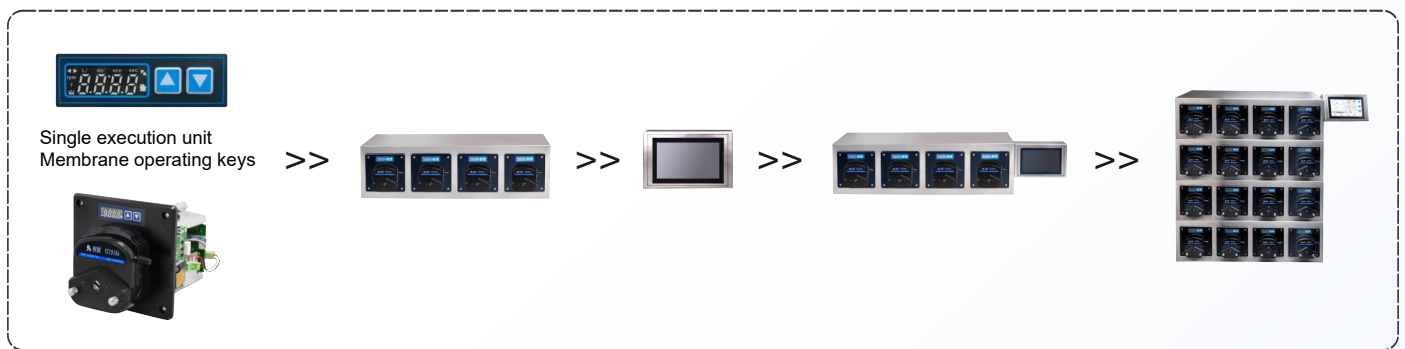
Adapt to multiple pump heads

Various pump heads such as YZ35 and YZ35-13 can be installed.

Pump head parameter table

Model	Display Method	Control	Filling Accuracy	Control Mode	Fine-Tuning range	Max Speed (rpm)	Pump Head	Max Flow (mL/min)	Weight (kg)
UTF04	7 inches/10 inches Industrial touch screen +4-digit LED digital display	Sub-control / Central control	$\pm 2\%$	Offline mode / Online mode	80%-120%	600	YZ35	12000	Master-1.35 Single group system - 43
							YZ35-13		

UTF composition and structure diagram



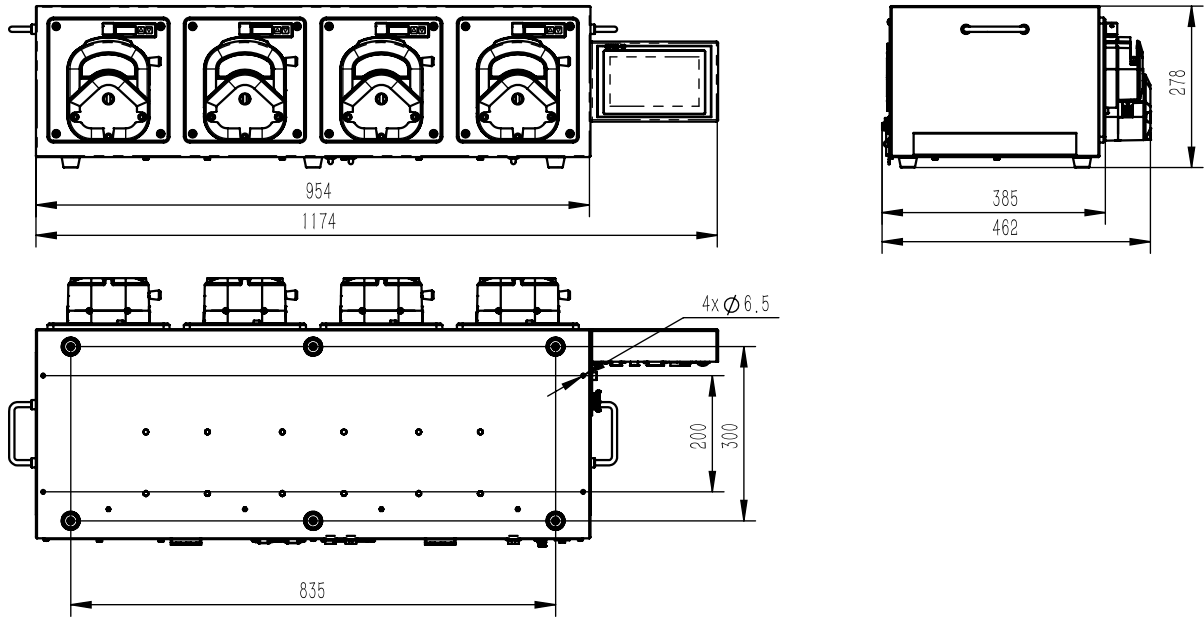
single execution unit >> Single group filling system execution unit >> Main controller >> Single group filling system execution unit >> Multi-group filling system execution unit

	Independently mounted modules for easy maintenance and repair		Independent fine-tuning button, convenient for customers to adjust accurately
	Integrated touch screen controls for easy operation and control		Cascadable multi-channel design for a variety of volume production requirements

Filling application and performance index

Filling volume	0.1ml-9999.99mL/time	Display adjustment resolution: 0.01mL
Filling time	0.1-9999.9s/time	Display adjustment resolution: 0.1s
Intervals	0.2-9999.9s/time	Display adjustment resolution: 0.1s
Filling times	0-9999 times	"0" means infinite loop
Suction angle	0-7200°	Display adjustment resolution: 1°
Suction speed	0-300rpm	Display adjustment resolution: 1rpm
Suction back delay	0s-60s	Display adjustment resolution: 0.1s
Channels	4 channels/unit (standard) 2 3 4 5 6 channels/unit (optional)	Expandable up to 32 channels

Dimensions



(Unit: mm)

* Technical parameters are subject to change without notice.

CHONRY 创锐

Baoding Chuangrui Precision Pump Co.,Ltd.

Address: NO.369 of HuiYang Street , Baoding 071000,Hebei , China

Mobile: +86 15633705132

Website: <http://www.crpump.com>

Email: support@crpump.com

