

## Warranty Information

Professional Fluid Transfer

CHONRY 创锐

### Warranty Commitment

- The product warranty period is one year. If there is a failure during the warranty period, you can enjoy free maintenance and replacement of parts; if it is damaged due to human beings, it will not be included in the warranty scope.
- After the warranty period, only the cost of maintenance will be charged.

**Note:** No employee or dealer has the right to change or violate the above warranty terms. Chuangrui is only responsible for repairing, replacing or refunding the product according to the actual use of the product and the customer's reasonable and compliance requirements.

### Warranty Details

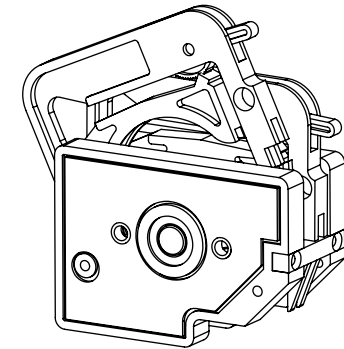
- If it is not a product quality problem, it is caused by external reasons such as operational errors or human negligence.No responsibility for direct or indirect losses.
- We are not responsible for any transport damage caused by returned products and accessories during the return journey.
- For the product, in no case shall the cost of compensation received by the customer exceed the actual payment price.

### Disclaimer Information

- The contents of this operation manual are for reference only.
- Chuangrui Pumps reserves the right to make changes to products (design or specifications) without prior notice profit.
- The information contained in this article is formulated from the correct point, and we will not be responsible for any errors.
- If you need the latest version of the operation manual for this product, please contact Chuangrui official.
- We are not responsible for any loss caused by non-product quality problems or human error.



# QUICK ACTION GUIDE DG series



BAODING CHUANG RUI PRECISION PUMP CO., LTD.

**Address:** NO.369 of HuiYang Street, Baoding 071000, Hebei, China

**Mobile:** +86 15633705132 **E-mail:** support@crpump.com

**Website:** <https://www.crpump.com>

BAODING CHUAGN RUI PRECISION PUMP CO., LTD.

Please read this manual carefully before operation



**WARNING!!**  
keep fingers away  
from moving rotor



## Product description

DG series pump head has a compact structure, versatile, and provide multi-channel options. They are suitable for small flow transmission environments. They are installed with clip-type pump tubes. The clearance of the ratchet pump head can be fine-tuned through the ratchet to adapt to different wall thicknesses. Tubes, springs are adaptive.

## Pump head parameters

Model	Channel	Roller	Roller Material	Shaft end	Card Material - Color
DG	1/2/4/6/8/12	6	Stainless steel	Round shaft /flat shaft	POM-White
		10			

ID\*wall thickness: mm

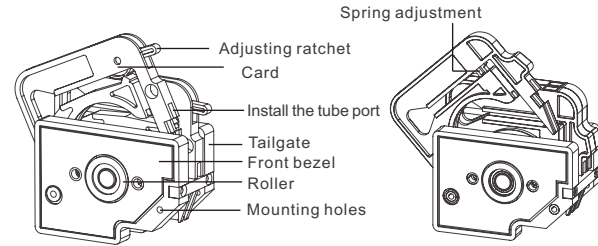
Model	Tube	ID*wall thickness	Max speed	Max flow
DG(6)	0.5*0.8	0.5*0.8	100rpm	2ml/min
	1*1	1*1	100rpm	6ml/min
	2*1	2*1	100rpm	19ml/min
	2.4*0.8	2.4*0.8	100rpm	24ml/min
	3*1	3*1	100rpm	36ml/min
DG(10)	0.5*0.8	0.5*0.8	100rpm	1.5ml/min
	1*1	1*1	100rpm	4ml/min
	2*1	2*1	100rpm	13ml/min
	2.4*0.8	2.4*0.8	100rpm	17ml/min
	3*1	3*1	100rpm	27ml/min

**Note:** The test environment for flow data is normal temperature and pressure, and the test fluid is water. The values are for reference only, please refer to the actual situation.

## ⚠ Safety warning

The tube may be cracked due to wear and tear, causing the liquid to overflow from the tube, which may cause harm to the human body and equipment, so check frequently and replace the tube in time! It is forbidden to open the upper pressure block during the operation of the product, and it is strictly forbidden to contact the rotating parts such as the pump wheel with fingers or sundries. To ensure personal and equipment safety, be sure to disconnect the drive from power before cleaning or maintenance.

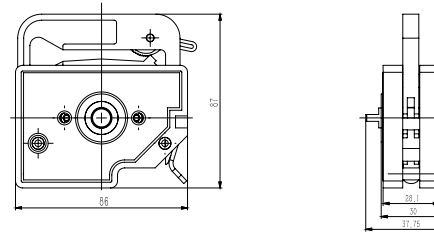
## Pump head structure



**Ratchet adjustment**

**Spring adjustment**

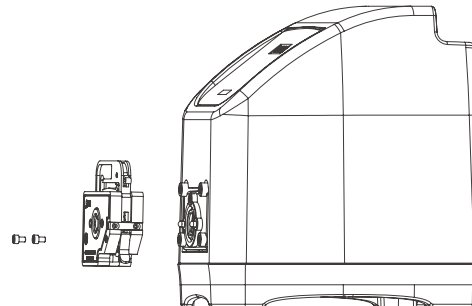
## Pump head size(mm)



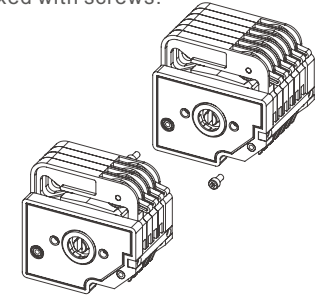
DG size: 86x37.75x87 mm

## Pump head installation

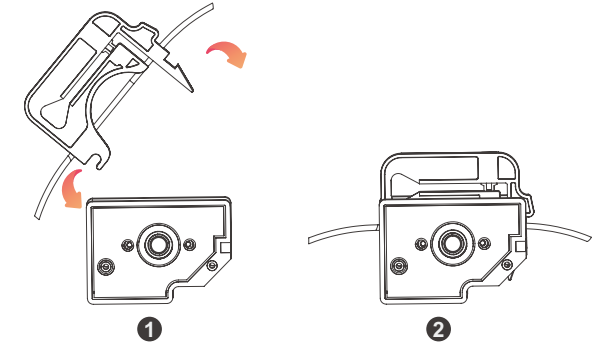
**Connecting with the driver:** Insert the pump head shaft into the coupling groove, then insert the two special screws into the mounting holes on the inner side of the pump head respectively, and tighten them with a hexagonal wrench.



**Multi-stage connection:** When multiple pump heads are connected in series, the shaft of the former pump head is inserted into the connection hole of the latter pump head, and then the screw mounting holes between the pump heads are aligned and fixed with screws.



## Tube installation



### Installation steps

- Insert the tube into the mounting hole as shown in the picture ①
- Insert the card into the groove of the pump head as shown in the picture ②, and the installation is complete.
- After the installation is completed, the ratchet pump head can increase the pressure of the pump pipe by adjusting the ratchet, and adjust it to a suitable state.

### Ratchet adjustment (Ratchet Pump Head)

- After the pump head is installed with the tube, place one end of the tube in the liquid, and inflate the tube from the other end. If there is bubbling in the liquid, fine-tune the adjusting ratchet upward to the critical position where no air bubbles occur. If there are still bubbles after the ratchet adjustment, it means that the tube wall is too thin and not within the scope of application.