

Warranty Information

Professional Fluid Transfer

CHONRY 创锐

Warranty Commitment

- The product warranty period is one year. If there is a failure during the warranty period, you can enjoy free maintenance and replacement of parts; if it is damaged due to human beings, it will not be included in the warranty scope.
- After the warranty period, only the cost of maintenance will be charged.

Note: No employee or dealer has the right to change or violate the above warranty terms. Chuangrui is only responsible for repairing, replacing or refunding the product according to the actual use of the product and the customer's reasonable and compliance requirements.

Warranty Details

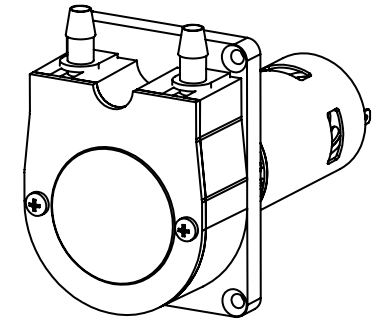
- If it is not a product quality problem, it is caused by external reasons such as operational errors or human negligence.No responsibility for direct or indirect losses.
- We are not responsible for any transport damage caused by returned products and accessories during the return journey.
- For the product, in no case shall the cost of compensation received by the customer exceed the actual payment price.

Disclaimer Information

- The contents of this operation manual are for reference only.
- Chuangrui Pumps reserves the right to make changes to products (design or specifications) without prior notice profit.
- The information contained in this article is formulated from the correct point, and we will not be responsible for any errors.
- If you need the latest version of the operation manual for this product, please contact Chuangrui official.
- We are not responsible for any loss caused by non-product quality problems or human error.



QUICK ACTION GUIDE OEM206



BAODING CHUANG RUI PRECISION PUMP CO., LTD.

Address: NO.369 of HuiYang Street, Baoding 071000, Hebei, China

Mobile: +86 15633705132 **E-mail:** support@crpump.com

Website: <https://www.crpump.com>

BAODING CHUAGN RUI PRECISION PUMP CO., LTD.

Please read this manual carefully before operation



WARNING!!
keep fingers away
from moving rotor



Product description

The OEM206 pump head housing adopts new special engineering plastics, which has outstanding stability and corrosion resistance. It can be designed with a visual window to facilitate the transmission situation. The knob loading and unloading pump cover is easier, the fluid transportation performance is strong, and the maximum flow can reach 870ml/min.

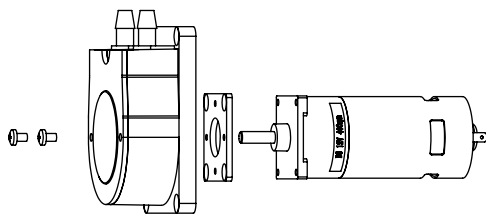
Pump head parameters

Model	OEM206
Max speed	300rpm
Max flow	870mL/min
Channel	1
Roller	2
Tube	13#、14#、19#、16#、25#、17#
Roller Material	PP
Available motor	42 DC deceleration motor

⚠ Safety warning

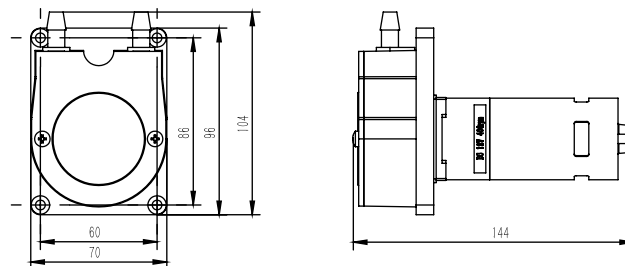
The tube may be cracked due to wear and tear, causing the liquid to overflow from the tube, which may cause harm to the human body and equipment, so check frequently and replace the tube in time! It is forbidden to open the upper pressure block during the operation of the product, and it is strictly forbidden to contact the rotating parts such as the pump wheel with fingers or sundries. To ensure personal and equipment safety, be sure to disconnect the drive from power before cleaning or maintenance.

Pump head structure



Pump head→Pump head mounting plate→Motor connection plate→Matching motor

Installation size(mm)



OEM206 Installation size: 144X70X104 mm

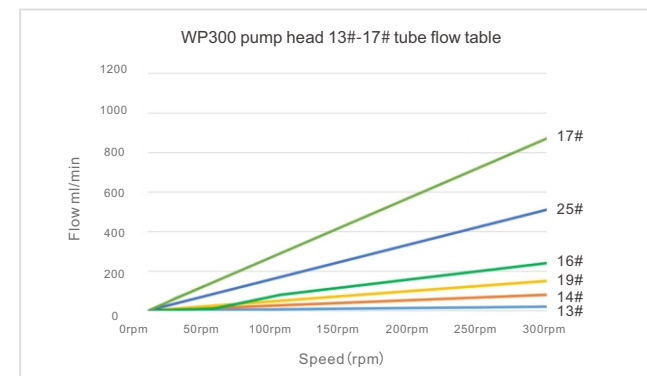
Tube selection and flow reference

Pump head	Tube/ID*wall thickness	Max flow (mL/min)					
		50rpm	100rpm	150rpm	200rpm	250rpm	300rpm
WP300	13#/0.8*1.6	3	6	10	13	16	20
	14#/1.6*1.6	13	26	40	53	66	80
	19#/2.4*1.6	25	50	75	100	125	150
	16#/3.2*1.6	40	80	120	160	200	240
	25#/4.8*1.6	85	170	255	340	425	510
	17#/6.4*1.6	145	290	435	580	725	870

Applicable tube: Silicone tube, PharMedBPT tube.
Motor model: 42 DC deceleration motor

Note: The test environment for flow data is normal temperature and pressure, and the test fluid is water. The values are for reference only, please refer to the actual situation.

Flow curve chart



WP300 flow curve chart

Tube installation

Installation steps

The tube are embedded in the tube joint, the installation is complete.