

GP3000FC

PRODUCT DESCRIPTION

Smart Micro Gear Pump



GP3000FC

PRODUCT DESCRIPTION

Smart Micro Gear Pump

Mostly used in laboratory precision fluid transmission, high outlet pressure.

Max flow
2700mL/min

Max speed
3000rpm



GP3000FC

GP3000FC is an intelligent miniature gear pump with a 3.5-inch color LCD touch screen display and a unique magnetic coupling design, which can accurately handle fluids without leakage/pollution/pulsation. It has two working modes of transmission and distribution. Work needs to be intelligently set, data storage can be carried out, and various remote control modes such as RS485/MODBUS are supported.

Touch screen operation

3.5-inch LCD display in Chinese and English, Smart operation.

Full speed function

Full speed at the touch of a button for fast cleaning, filling and emptying of pipes.

Support external control

Support RS485/MODBUS communication protocol, analog control, foot switch control.



Data storage

9 sets of filling data can be stored for users.

Flow calibration

Multiple calibrations can be performed to reduce flow rate errors and ensure flow accuracy.

Multiple modes

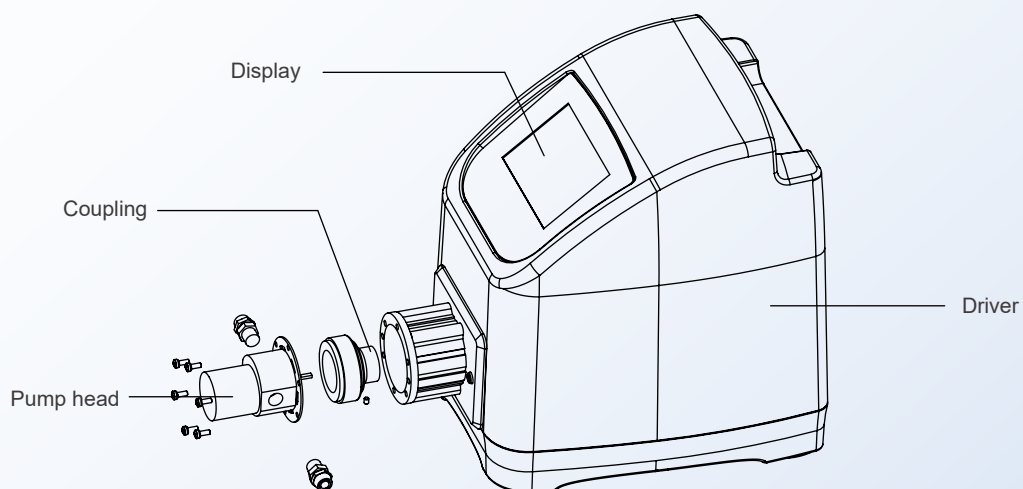
It has two working modes of transmission and distribution, and can perform repeated timing and quantitative filling.

Technical parameter

Drive model	GP3000FC
Max speed	3000rpm
Running direction	Clockwise rotation
Max flow	2700mL/min
Transfer Liquid Particle Restriction	Particle diameter \leq 10 μ m (pre-filter recommended)
Transfer liquid viscosity	\leq 200cst
Transfer liquid temperature	PEEK gear: -45~120 C PTFE gear: -45~50 C
Speed resolution	1rpm
Speed mode	Touch screen adjustment
Display method	Color LCD display (Chinese and English optional)
Power supply	AC220V \pm 10% (Standard) 或 AC110V \pm 10% (Optional)
Power	< 100W
External control interface	DB-15
External control method	Start control/direction control/speed control (0-5V, 0-10V, 4-20mA optional) RS485 serial communication
Ambient temperature	0-40°C
Drive weight	4.2kg
Size	330 \times 186 \times 251(mm)
Protection grade	IP31 (indoor use, avoid prolonged exposure to UV rays)

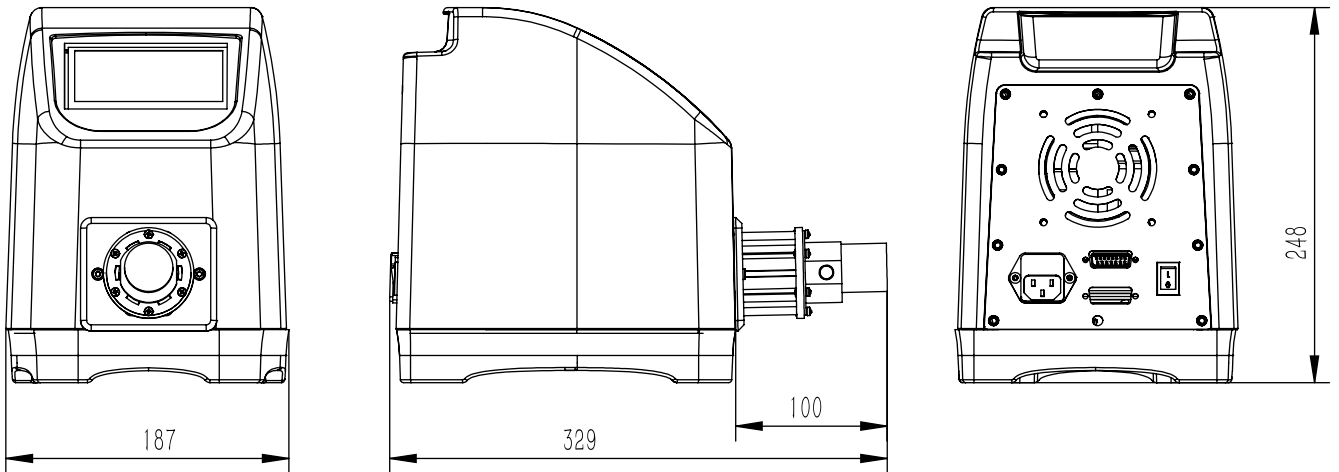
Schematic diagram of structure and function

Pump head \rightarrow Coupling \rightarrow Driver



Dimensions

● GP3000FC



(Unit:mm)

* Technical parameters are subject to change without notice.

CHONRY 创锐

Baoding Chuangrui Precision Pump Co.,Ltd.

Address: NO.369 of HuiYang Street , Baoding 071000,Hebei , China

Mobile: +86 15633705132

Website: <http://www.crpump.com>

Email: support@crpump.com

