

# BG600FJ-S

## PRODUCT DESCRIPTION

### Industrial Dispensing Peristaltic Pumps



## BG600FJ-S

### PRODUCT DESCRIPTION

#### Industrial Dispensing Peristaltic Pumps

It is used in industrial fermentation, fluid transportation such as superplasticizers and admixtures, and is suitable for large-flow sub-packaging environments.

Max flow  
12000mL/min

Max speed  
600rpm



## BG600FJ-S

BG600FJ-S is an industrial distribution type peristaltic pump, which can switch the transmission mode and distribution mode by adjusting the key position, adapt to different working environments, install YZ35, YZ35-13 and other pump heads, can cascade multiple pump heads, digital knob Adjustable, bidirectional high torque. The current flow or speed is displayed through 4-digit LED, and the liquid volume can be calibrated. It supports the RS485/MODBUS communication protocol, and the knob adjusts the parameters. The operation is simple and convenient.

#### Mode switch

Two modes of transmission or distribution can be switched by adjusting the key position.

#### Power off save

Can automatically save the control parameters when the last power failure.

#### Can be cascaded

YZ35, YZ35-13 and other pump heads can be installed, and multiple pump heads can be cascaded.



#### Servo motor

Driven by servo motor, powerful and more accurate control.

#### Flow calibration

After setting the target flow, input the actual flow value, and the system will automatically perform flow correction.

#### External control function

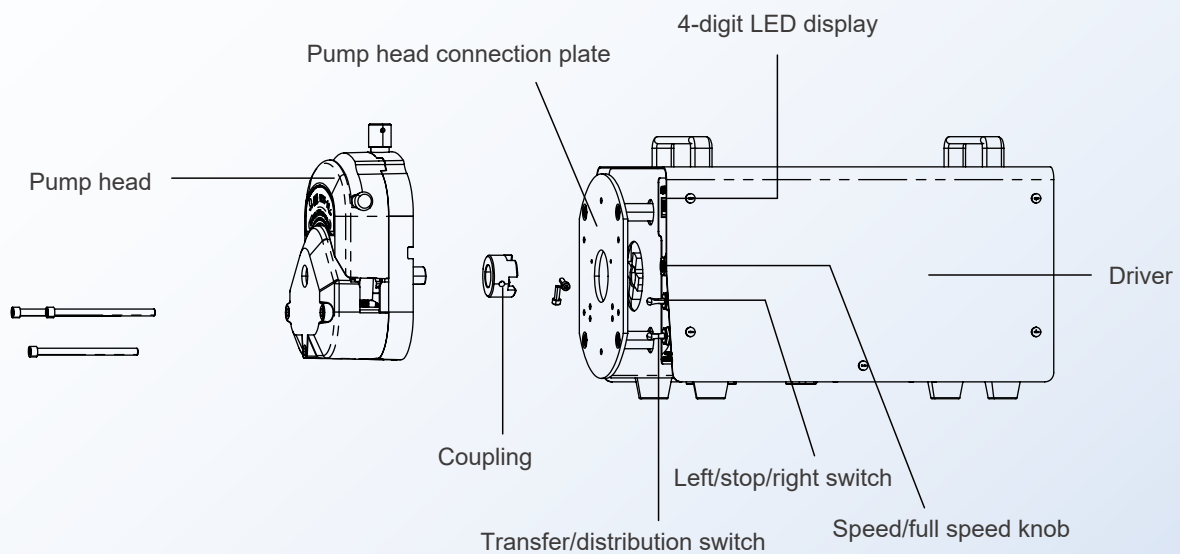
Support RS485/MODBUS communication protocol, the protocol can also be customized according to customer needs.

## Technical parameter

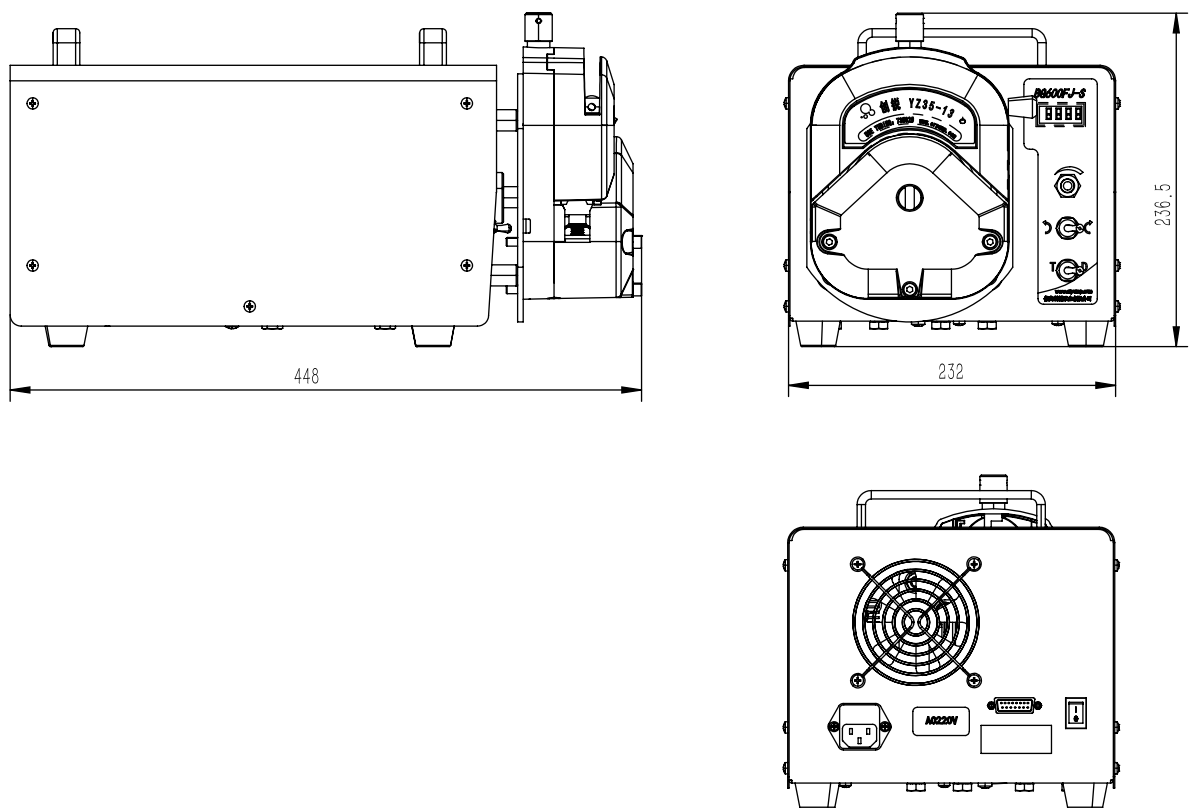
Drive model	BG600FJ-S
Max speed	600rpm
Speed resolution	0.1rpm
Max flow	12000mL/min
Speed mode	Digital knob to adjust the speed
Display method	Four-digit LED displays current speed or flow
Suction angle	10°-720°
Suction speed	10-300rpm
Power supply	AC220V±10% (standard) or AC110V±10% (optional)
Power	<400W
External control interface	Start control/direction control/speed control (0-5V, 0-10V, 4-20mA optional) RS485 serial communication
Drive size	448x232x236.5 (mm)
Drive weight	19kg
IP grade	IP31

## Schematic diagram of structure and function

Pump head → Coupling → Pump head connection plate → Driver



## Dimensions



(Unit: mm)

**CHONRY 创锐**

Baoding Chuangrui Precision Pump Co.,Ltd.

Address: NO.369 of HuiYang Street , Baoding 071000,Hebei , China

Mobile: +86 15633705132

Website: <http://www.crpump.com>

Email: [support@crpump.com](mailto:support@crpump.com)

