

ZG600

PRODUCT DESCRIPTION

DC Industrial Peristaltic Pump



ZG600

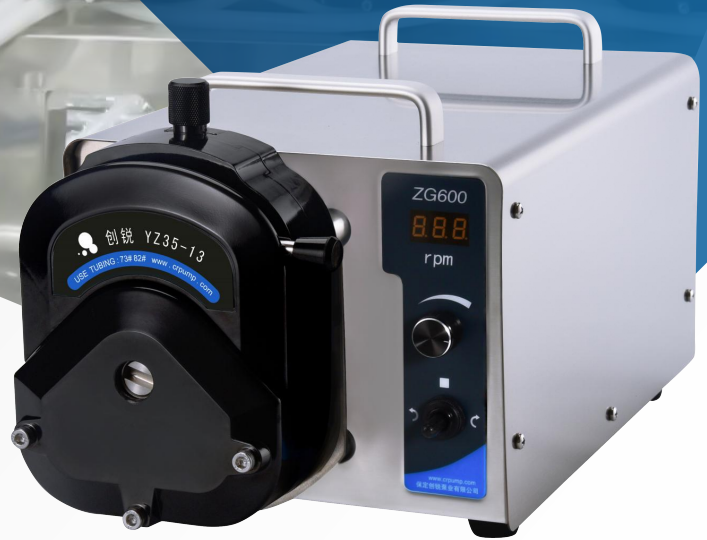
PRODUCT DESCRIPTION

DC Industrial Peristaltic Pump

Used in food filling, mechanical grinding and polishing liquid, chemical liquid transportation, Large flow transmission such as water treatment

Max flow
12000mL/min

Max speed
600rpm



ZG600

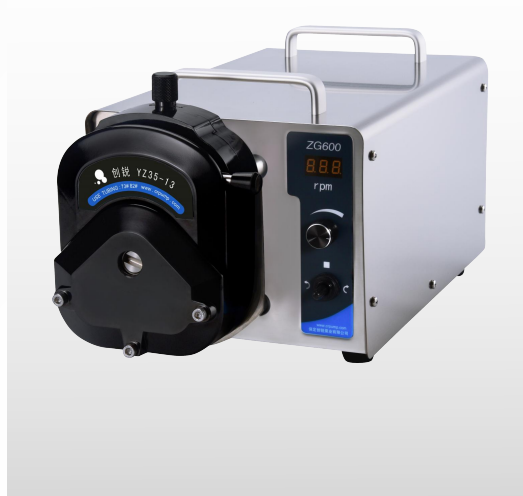
ZG600 is a DC industrial peristaltic pump. It adopts high-power DC motor, two-way high torque, YZ35, YZ35-13 and other pump heads are installed. Multiple pump heads can be cascaded. Digital knob adjustment, using 3-digit LED to display the current flow and speed to meet different application requirements

Powerful

High-power DC motor drive, strong load capacity.

Can be cascaded

Two-way high torque, can cascade multiple pump heads.



Strong and sturdy

The body shell is made of stainless steel, which is sturdy and durable.

High traffic transmission

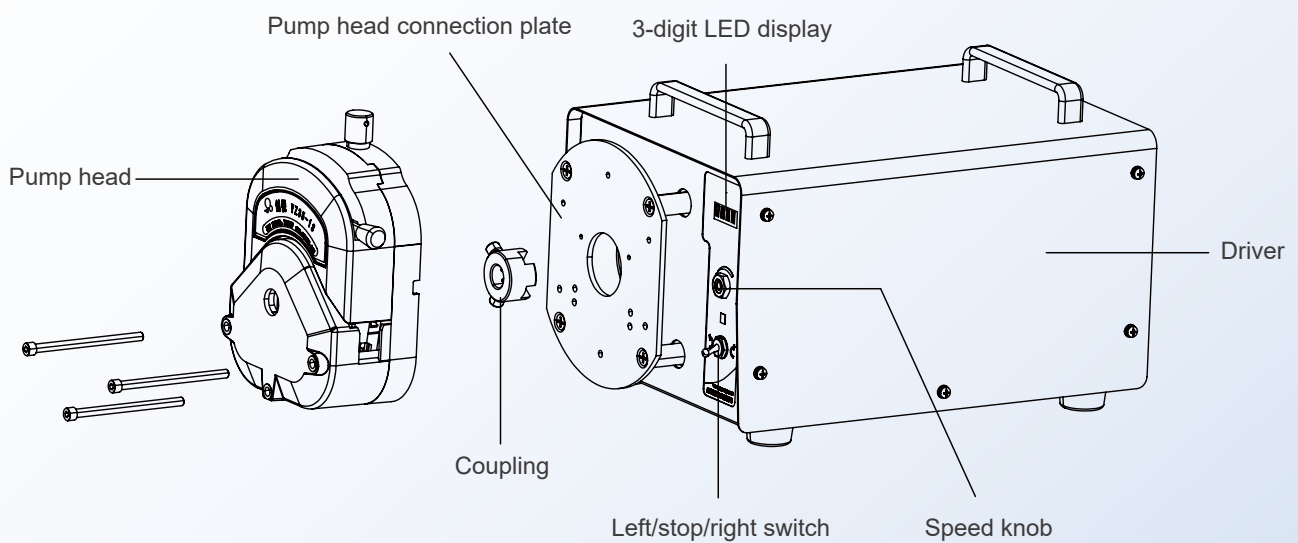
Equipped with large flow YZ35, YZ35-13 pump head, the maximum transmission capacity is 12L.

Technical parameter

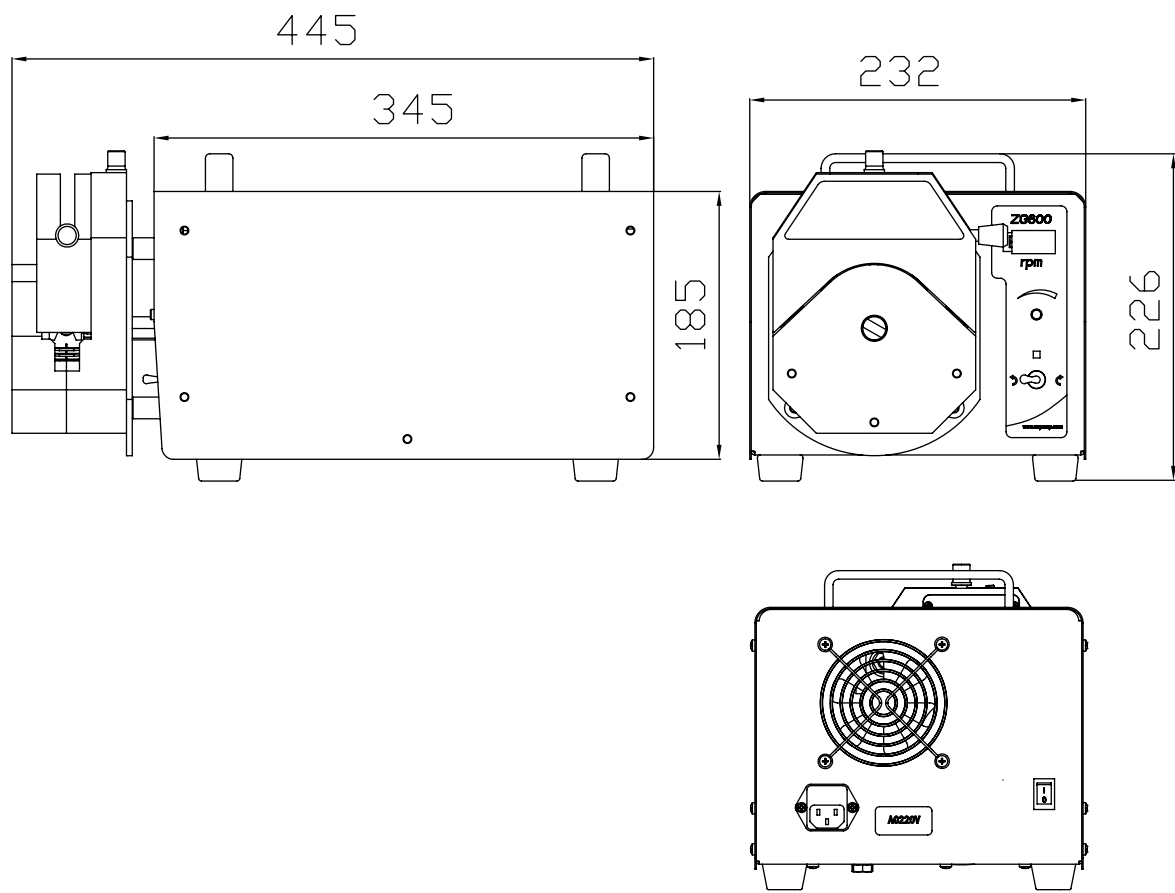
Drive model	ZG600
Max speed	600rpm
Speed resolution	1rpm
Max flow	12000mL/min
Speed mode	Digital knob to adjust the speed
Display method	Three digit LED displays current speed
Power supply	AC220V±10% (standard) or AC110V±10% (optional)
Power	<400W
Drive size	345X232X226 (mm)
Drive weight	19kg

Schematic diagram of structure and function

Pump head → Coupling → Pump head connection plate → Driver



Dimensions



(Unit: mm)

CHONRY 创锐

Baoding Chuangrui Precision Pump Co.,Ltd.

Address: NO.369 of HuiYang Street , Baoding 071000,Hebei , China

Mobile: +86 15633705132

Website: <http://www.crpump.com>

Email: support@crpump.com

